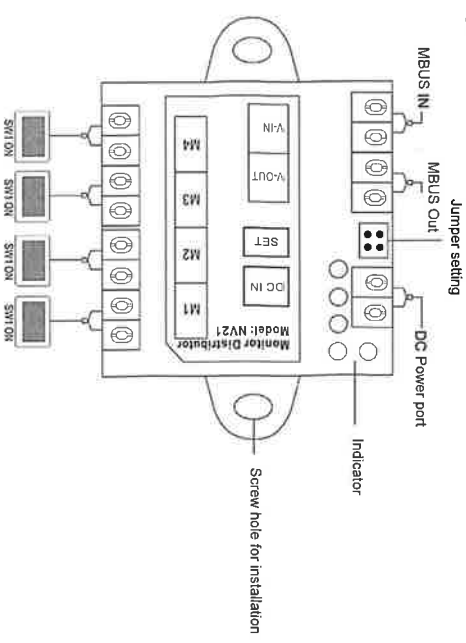


NV21 USER MANUAL

1. FEATURES AND MAIN FUNCTION

- ◆ Distributor for 2 wire apartment system.
- ◆ Each distributor can maximum connect 6 terminal devices(Monitor/outdoor panel).
- ◆ It supports up to 30 levels networking.
- ◆ A power port for connecting external power supply, and power isolation can be done with jumper cap.
- ◆ 6 BUS ports for point to point connection, used for BUS signal conversion and fault isolation.
- ◆ Support automatic management for private doorbells.
- ◆ LED indicator status: Green light on (Line is busy), light quick flashing (In communication), light slow flashing (Error).

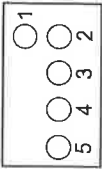
2. Terminal description



- (1) M1-M4: Port for connecting indoor monitor
- (2) V-IN: Input port for 2 wire BUS
- (3) V-OUT: Output port for 2 wire BUS
- (4) Jumper setting(Based on the NV21 direction as the above picture):

Setting	Description
	There's no power isolation in the NV21, only one power supply to the NV21.
	There's power isolation in the NV21. It means there are more than 1 power supply(more than 1 arrow in the diagram) to the NV21.

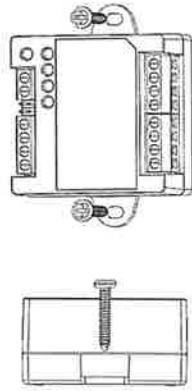
(5) Indicator:



Indicator	1	2	3	4	5
Color	Red color: V-IN Green color: V-OUT	Green	Green	Green	Green
For Port	V-IN, V-OUT	M1	M2	M3	M4
Off	No power to NV21.	No device is connected.	No device is connected.	No device is connected.	No device is connected.
On	Standby state.	Busy line	Busy line	Busy line	Busy line
Fast flash	Red light fast flash: Port V-IN is in communication. Green light fast flash: Port V-OUT is in communication. Red and green light fast flash alternately: Port V-IN & V-OUT are in communication.	In communication.	In communication.	In communication.	In communication.
Slow flash	Red light flash slowly: Port V-IN has communication error. Green light fast flash: Port V-OUT has communication error. Red and green light flash alternately and slowly: Port V-IN & V-OUT have communication error.	communication error.	communication error.	communication error.	communication error.

3. Installation guide

- (1) Drill 2 holes on the wall according to the monitor distributor screw holes position.
- (2) Insert 2 expansion columns into the holes and fix the monitor distributor with 2 screws.



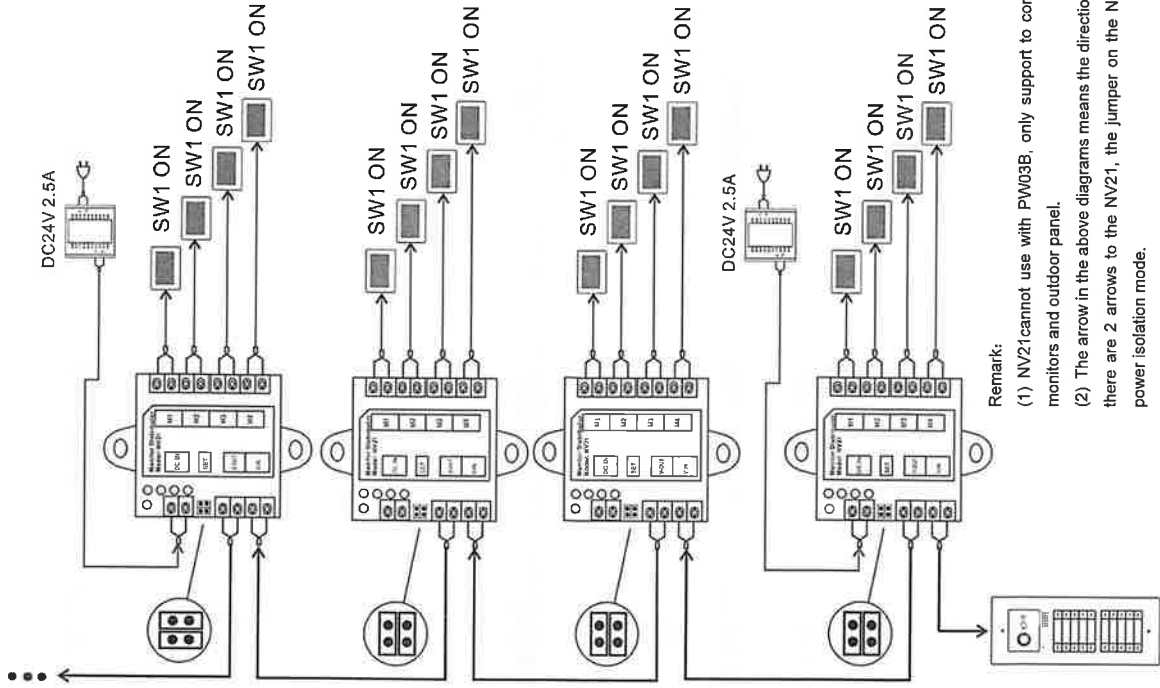
Remark: Use PA M3*12MM screws.

4. Specifications

No.	Item	Content
1	Working voltage	DC 18V -24V
2	Power consumption	0.5W(standby), ≤2.5W (Maximum output current 3A)
3	Branch port output	Port M1-M3 ≤0.5A, Port M4 ≤1A
4	Working temperature	-25°C - +45°C
5	Storage temperature	-30°C - +60°C
6	Dimension	62*45*27mm (L*W*H)

5. Wiring diagram

Diagram 1



Remark:

- (1) NV21 cannot use with PW03B, only support to connecting with NH20, monitors and outdoor panel.
- (2) The arrow in the above diagrams means the direction of power supply. If there are 2 arrows to the NV21, the jumper on the NV21 must set to be power isolation mode.
- (3) For the above Diagram 2, Port M4 can maximum afford 2pcs NV21, if you want to connect more, please add more power supplies.
- (4) All terminal block screws must be tightened and in good contact